

# RAPIDO™

For All Needs of Day Surgery



 **MERIVAARA**

# Versatile and functional operating table

*Height settings hydraulic and gas spring aided adjustments.*

*Trendelenburg and reverse Trendelenburg adjustment handles.*

*Height adjustment pedals are easy to access.*

*The lower base is housed within a hygienic, easy to clean casing.*

*Smooth and quiet height adjustment allows for optimal positioning and helps patients with limited mobility to easily get on and off the table.*



Rapido is the ideal operating trolley for the busy day surgery unit. **Lightweight and easy to use and clean**, the Rapido reduces manual handling and improves efficiency in the operating theatre and ward. **The open design** ensures optimum surgical access and easy use of x-ray and other imaging equipment. A comprehensive range of accessories are available to enable you to undertake a wide range of day surgery and minor surgical procedures. **C-arm access is quick and easy** with Rapido making it ideal for use by Endoscopy department. The soft body conforming **mattresses ensure patient comfort and are easily removed for cleaning.**

*Wide table top with antistatic and hygienic visco elastic memory foam, 80 mm, mattress that conforms to the patient's body.*

*X-Ray cassette rails, good imaging access.*



*Allows easy access to the patient, thus providing ergonomic working positions for the surgery team. Provide adequate legroom and a good working area for the surgical staff.*

*Easy to move thanks to large antistatic twin castors that glide smoothly on a variety of floor surfaces, central locking.*

## Rapido Upper Body

Rapido Upper Body operating table is **especially designed for various types of surgeries on the upper body, including the head area.** Adjustments of the table that the surgeon needs during the upper body operations are conveniently controlled from the head end of the table. The adjustments of the hydraulic height, Trendelenburg and leg section are located at the foot end of the table, thus out of the surgeon's way.

# Day Surgery Process with Rapido

A wide range of surgical procedures are now undertaken in Day Surgery. Fast and efficient Day Surgery eliminates the need for patients to stay in hospital overnight greatly reducing operating costs.

The Rapido is a patient trolley, operating table and recovery chair all in one unit. It eliminates the need for separate pieces of equipment saving space, reducing capital equipment and maintenance costs. From Admission to Discharge the patient remains on the Rapido which reduces the risk of infection and ensures faster recovery times.

## Pre-operative treatment

- Patient meets surgeon and/or nurse to define the needed treatment
- OP theatre not blocked-up at this point
- Normally for operations lasting 2–3 hours
- Patient has to be fit and healthy



Patient Ward



## Patient benefits

- patient safety – no patient transfers
- minimize the risk for hospital bacteria
- faster recovery
- less influence on daily life

## Nurse benefits

- no lifting of the patient (patient stays on the same trolley the whole procedure)
- Rapido is stable yet light to transport
- easy configuration for the table
- no lifting for heavy table top sections

## Hospital benefits

- patient safety
- no patient transfers
- reduce purchasing costs
- increase economic efficiency
- when building new departments significant space savings

## Surgical procedures

- Mobile Rapido table is easy to position in the OP-theatre
- Rapido light to move around
- Standard OP-table accessories can be used with Rapido
- Easy access for local anaesthesia

OP-theatre



Recovery



## Post-operative care

- Faster recovery due to minimized anaesthesia
- Rapido is compact in size – more trolleys fit in the recovery room than beds

# Accessories



Divided leg section 1000 18261



Gyn/Uro extension 1000 18153



Light foot rest 1000 18001



X-ray cassette tray  
1000 18126



Bowl (6 L)  
with drainage 100 201572  
without drainage 100 201571



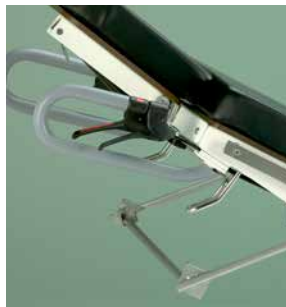
Wire utility basket for utilities  
1000 18183



Oxygen bottle holder  
5 L 1000 18189



Push bars to  
foot end 18168



Paper roll holder for Rapido  
18572

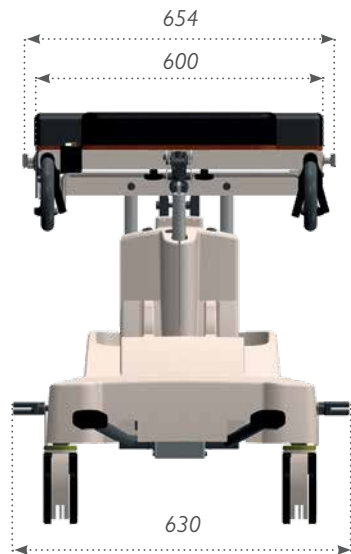


Infusion rod 749, order no 1000 00749  
Storage holder for infusion rod order no 1000 18578

See separate brochures  
for all Merivaara  
Operating Table Accessories



# Technical specification



## Rapido Standard

with one piece or divided leg sections

### DIMENSIONS

- length: 2050 mm
- width: 600 mm (mattress), total width 654 mm
- weight: 125 kg
- safe working load SWL: 160 kg

### ADJUSTMENTS

- height 650–1020 mm, hydraulically with foot pedals
- lateral tilt  $\pm 15^\circ$ , gas spring-assisted
- back section  $-4 \dots +70^\circ$ , gas spring-assisted
- leg section  $-90 \dots +4^\circ$ , gas spring-assisted
- Trendelenburg  $-25^\circ$ , anti-Trendelenburg  $+18^\circ$ , gas spring-assisted
- head rest  $-40 \dots +25^\circ$

### TABLE TOP/COLUMN/BASE

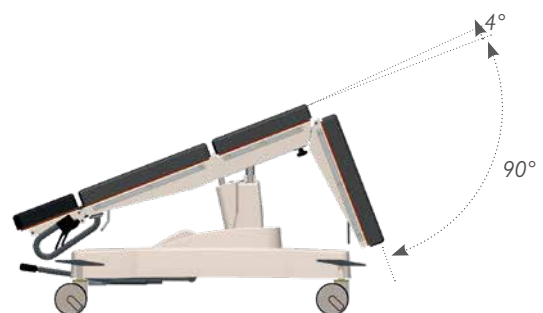
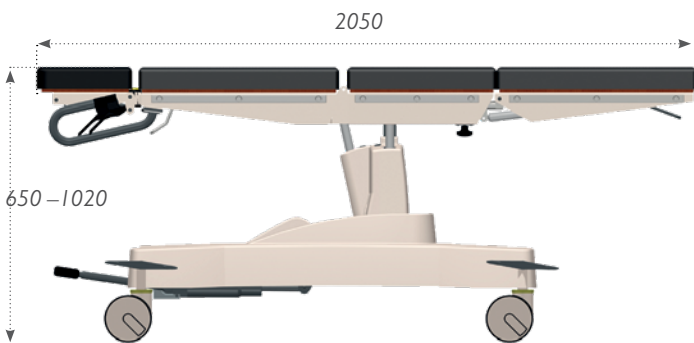
- 4 sections/5 sections (divided foot section)
- fixed back and seat sections
- leg and head sections detachable
- top plate of X-ray translucent high pressure laminate
- X-ray cassette rails along the full length of the surgical surface
- antistatic and hygienic visco elastic memory foam, 80 mm, mattress
- accessory rails of stainless steel
- casings of shock-resistant ABS plastic
- antistatic castors  $\varnothing 150$  mm, washable, swivelling twin-castors, central locking device pedal

Warranty 2 years



## Upper Body comparison with Standard Rapido

- length: 2185 mm
- 4 sections (one-piece leg section)
- no lateral tilt
- leg section  $-50 \dots +4^\circ$ , gas spring-assisted





Health Technology with a Human Touch



#### MERIVAARA CORP.

Lahti, Finland, Tel. +358 3 3394 611,  
merivaara@merivaara.com www.merivaara.com

#### MERIVAARA WORLDWIDE

Merivaara's headquarters, with R&D, production, sales, marketing and after-sales service functions, are located in Lahti, Finland. Merivaara has subsidiaries in Norway (Merivaara A/S), Sweden (Merivaara AB), UK (Merivaara Ltd) and a sales organisation in Russia. Additionally, Merivaara's products are sold in more than 120 countries by a network of distributors.

The status of the information, specifications and illustrations in this publication is indicated by the date of publication. Whilst the greatest care has been taken over its compilation, Merivaara Corp. is not responsible for any errors or omissions. Merivaara Corp. reserves the right to make changes to the technology, features, specifications and design of the equipment and models without notice. Please check the Merivaara website for the latest updated specifications and other information.

All trademarks are Merivaara property unless otherwise stated. Patents granted or pending.

©Merivaara Corp. DOC ID: 6097EN-1, Date: 09/2020